



## Pump model PA34

MODEL	MAX. POWER kW	PRESSURE bar							CAPACITY l/h
		100	180	200	250	300	400	600	
<b>PA34</b>	90	24.000	16.000	15.000	12.000	10.000	7.500	5.000	

\*Values referring to machines with fixed capacity

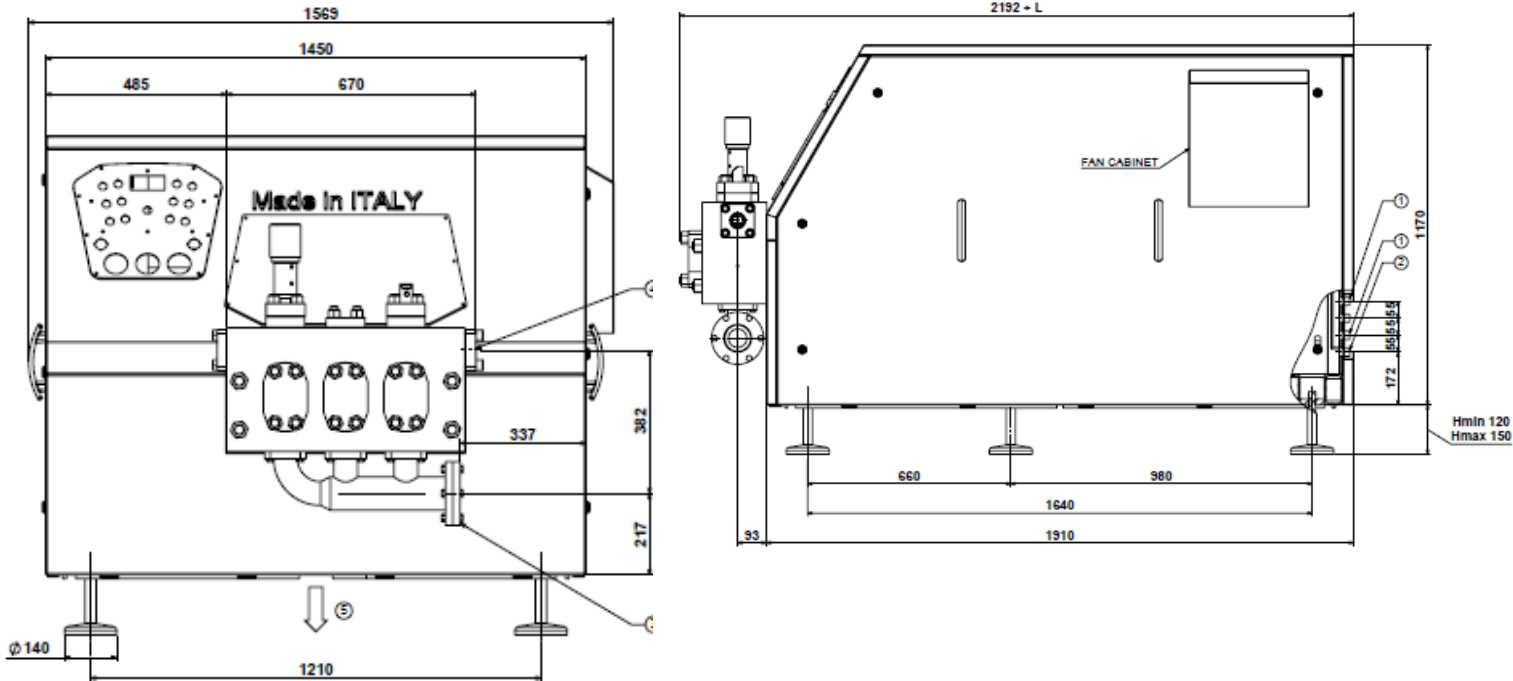
\*\*Values referring to products with a max viscosity of 500Cp

### TECHNICAL DATA

Plunger number	3
Stroke (mm)	107
Weight (kg)	2.600
Water consumption (l/h)	90
Lubrication oil quantity (kg)	30
Connection product inlet/outlet	Socketed weld flange $\varnothing e90 \varnothing i85 / \varnothing e40 \varnothing i35$
Max. installed power (kW)	90

Design according to MACHINE DIRECTIVES and the HARMONIZED EUROPEAN STANDARD in force.





## FEATURES

Liquid End: Forged block made of Duplex SAF2205, Self-alignment patented system, 3 plungers made from A630 with Chromium Carbide coating

Conical valve seats and poppet/ball valves in Stellite™

Overpressure valve, flow switch alarm on water circuit

Drive unit:

- Splash lubrication system
- Die cast iron crankcase
- Nitruized crankshaft
- Direct transmission system with internal gear reducer with belts and pulleys

Digital pressure transmitter 4-20 mA with ceramic membrane

Terminal box and control panel for local/remote control

Easy opening panels

Friendly maintenance of the liquid end

## MAIN OPTIONS

Aseptic execution

Explosion proof design

Sound-proof design

- Sterile water generator by means of condensed steam generator
- Patent pending sterile water generator by means of microfiltration

Design suitable with: 3A, EHEDG or PHARMA

- Low roughness and electropolished wetted parts
- Certification manual for cGMP

Valve seats made from Tungsten Carbide

Vibration and temperature monitoring and alarm

Pumping plungers availability:

- A316 with HVOF Chromium Carbide jet coat treatment
- Ceramics

Electric power board:

- For Variable capacity
- Remote Control by 4-20 mA signal
- Fully Automatic pressure control by means of PLC

Inlet and outlet connections:

- DIN 11851, Tri-clamp, SMS
- High pressure outlet
- Option upon request

