

Self-Priming Pump

HIGH PRESSURE HOMOGENIZERS AND PLUNGER PUMPS SINCE 1974

Powered by Interpump Group



MODEL
Self-Priming Pump
PS36

MODEL	PRESSURE bar	CAPACITY l/h
Pump	70	
PS36	18.000	

TECHNICAL DATA

Plunger number	3
Stroke (mm)	140
Weight (Kg)	2000
Water consumption (l/h)	200
Lubrication oil quantity (kg)	122
Product inlet/outlet connection	Socket weld flange De 254/Socket weld flange De102.5

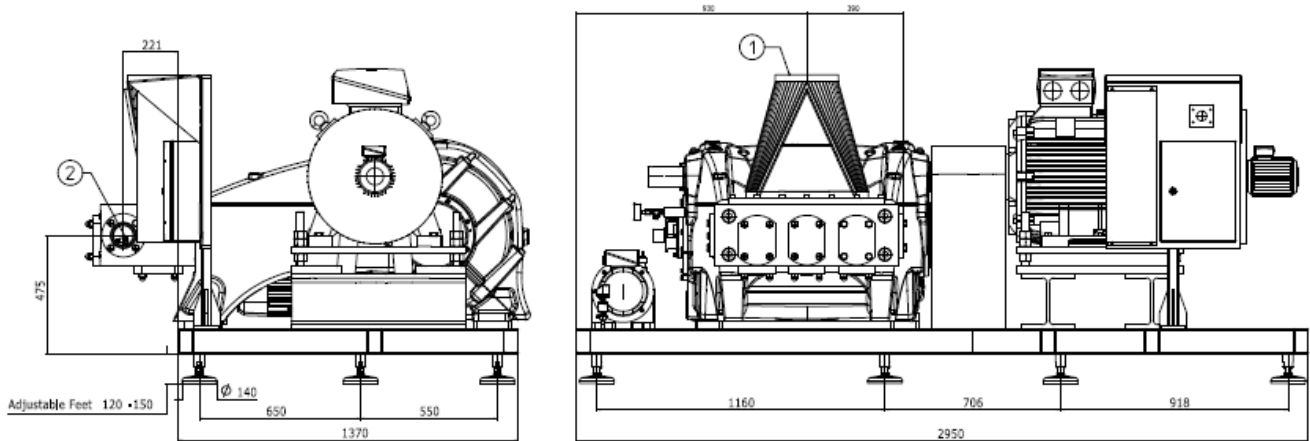
Design according to MACHINE DIRECTIVES and the HARMONIZED EUROPEAN STANDARD in force.



Self-Priming Pump

HIGH PRESSURE HOMOGENIZERS AND PLUNGER PUMPS SINCE 1974

Powered by Interpump Group



FEATURES

Liquid End: Forged block made from AISI 316, 3 Plungers made from Integral Ceramic Al₂O₃, H-ECOPUR single element plunger seal
Self-Feeding by gravity

Valve seat and poppet valves made from Stellite 20™

Flow switch alarm on cooling water circuit

Drive Unit:

- Forced lubrication system with pressure switch
- Direct transmission system with gear reducer integrated in the cast iron crankcase
- Nitridized crankshaft

Terminal box

Suitable for CIP/SIP up to 36.000 l/h

Stainless steel frame

MAIN OPTIONS

Electric power board for variable capacity

Abrasive version

Valve design for slurry or formulated products

Digital pressure transmitter, 4-20 mA

