



PX32 Pump - Evo Line

Conceived with new modular design, guarantees high flexibility

MODEL	MAX. POWER	PRESSURE bar			CAPACITY l/h
Pump	kW	25	40	80	
PX32	11	7.000	7.000	3.500	

*Values referring to machines with fixed capacity

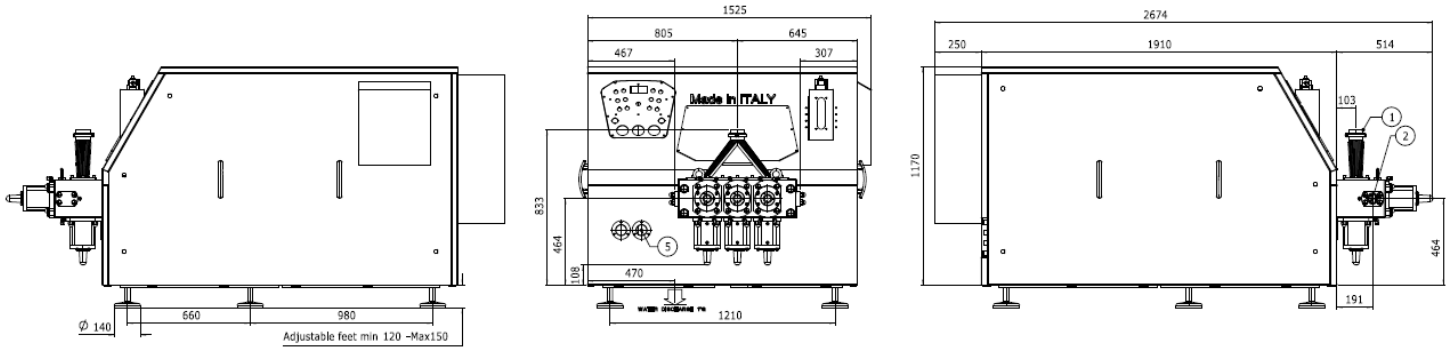
**Values referring to products with a max viscosity of 500Cp

TECHNICAL DATA

Plunger number	3
Plunger diameter (mm)	Ø110
Stroke (mm)	107.95
Weight (Kg)	1.800
Water consumption (l/h)	80
Lubrication oil quantity (kg)	45
Air and water inlet	7
Water discharge	½ female
Product inlet/outlet	Tri-clamp 3" / DN50(De60.5)
Air consumption	98Nm ³ /h

Design according to MACHINE DIRECTIVES and the HARMONIZED EUROPEAN STANDARD in force





FEATURES

Mono block stainless steel compression head (AISI316) of high mechanical and corrosion resistance

Pumping pistons in special stainless steel of high mechanical resistance, heat-treated and chromed at thickness

Pumping group with stainless steel seat, polymeric material valves complete with pneumatic actuator

Piston stroke retracted for a complete flow of the product with pieces

Transmission system:

- Splash lubrication system
- Cast iron base
- Nitrated crankshaft
- Direct drive with belts and pulleys, internal reducer

Internal control system equipped with encoder and PLC for regulation phases of valve opening and closing according to actual flow rate

Pneumatic group equipped with lubrication oil level switch

Operating panel on the machine for the control of all pump's parameters

Electrical board external to the machine for variable capacity

Easy-to-open side panels that can be opened individually

MAIN OPTIONS

Pumping pistons available in:

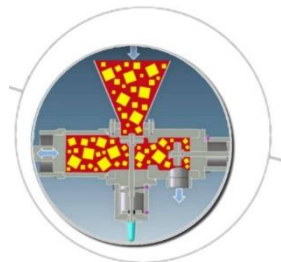
- AISI 630 heat-treated (to pump products with high salt content)
- AISI 316+ HVOF

Polymeric material gasket of high wear and corrosion resistance, for pressure higher than 25 bar

Electric board:

- External machine for variable capacity
- Frequency converter for flow regulation

- Max pressure up to 40 bar
- Max pressure up to 80 bar



***Technical specifications are not mandatory and subject to change without notice

REV3-02/25-EN

